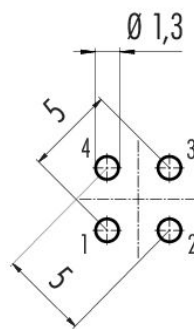


Product description	M12 Male panel mount connector, Contacts: 4, unshielded
-	-
Area	M12-A series 763
Part no.	09 0431 212 04

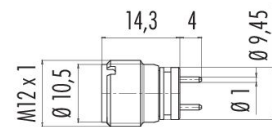
Illustration



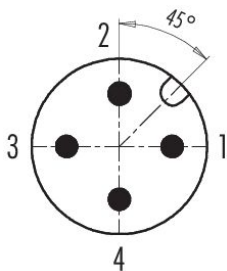
Conductor layout



Scale drawing



Contact arrangement (Plug-in side)



You can find the assembly instructions on the next page.

Technical data

Product description	M12 Male panel mount connector, Contacts: 4, unshielded
-	-
Area	M12-A series 763
Part no.	09 0431 212 04

General features

Part no.	09 0431 212 04
Connector design	Male panel mount connector
Type standard	DIN EN 61076-2-101
Version	Connector pin straight
Connector locking system	screw
Weight (g)	2.61
Customs tariff number	85369010
Country of Origin	DE

Electrical parameters

Insulation resistance	> 10 Ω
EMC compliance	unshielded

Material

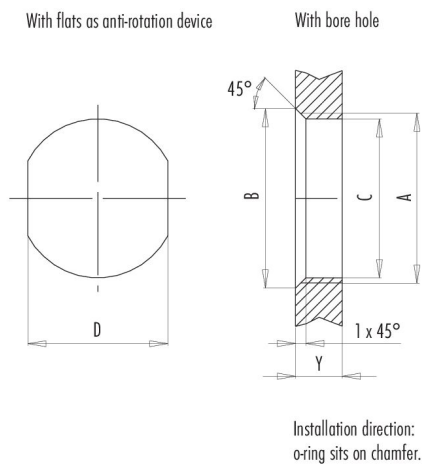
Housing material	PA
REACH SVHC	CAS 7439-92-1 (Lead)
SCIP number	888f17ca-82bf-43c5-bacf-f36ff8135cb7

Classifications

eCl@ss 11.1	27-44-01-09
ETIM 9.0	EC003569

Product description **M12 Male panel mount connector, Contacts: 4, unshielded**
 -
 Area **M12-A series 763**
 Part no. **09 0431 212 04**

Assembly instructions / Panel cut-out



Thread	Measures			Tightening torque	
	B (mm)	C (mm)	D (mm)	Metal	Plastic
PG 9	16,0	15,3	13,5	1,25 Nm	1,25 Nm
PG 11	20,2	18,7	17,0	2 Nm	1,25 Nm
PG 13,5	22,0	20,5	18,8	2 Nm	1,25 Nm
M12 x 0,5	-	12,1	-	-	0,4 Nm
M12 x 1	-	12,1	-	1 Nm	-
M14 x 1	14,4	14,1	-	1 Nm	-
M16 x 1,5	17,0	16,1	13,5	1,25 Nm	1,25 Nm
M20 x 1,5	21,6	20,1	17,8	2 Nm	1,25 Nm

Thickness of wall Y (mm)		
Version	min (mm)	max (mm)
Fastened from rear	2	3,5
Front fastened	2	4,5
Positioning possible ¹⁾	2	3,5
Screw clamp	2	3,5
Thread M12 x 1	2	3,0
Thread M14 x 1 ²⁾	³⁾ 1,5/ ⁴⁾ 2	6,5

Notes

- ¹⁾ Do not attach a chamfer
- ²⁾ Wall thickness:
use nut 38 5385 100 001
up to 1,5 mm,
>1,5 mm cut thread
- ³⁾ Nut
- ⁴⁾ Thread in wall of housing

Product description	M12 Male panel mount connector, Contacts: 4, unshielded
-	-
Area	M12-A series 763
Part no.	09 0431 212 04

General Disclaim Notice

The connector must not be plugged or unplugged under load. Non-observance and improper use can result in personal injury.

The connectors have been developed for applications in plant engineering, control and electrical equipment construction. The user is responsible for checking whether the connectors can also be used in other areas of application.

The user must take suitable safety precautions to ensure that the connector cannot be accidentally disconnected.

Plug connectors with enclosure protection IP67 and IP68 are not suitable for use under water. For further information on the IP protection classes, please refer to the "Technical Information" download centre.

To lock the cable connector with the device connector, the threaded ring is tightened "hand-tight" (approx. 50 cNm).